



Design to enhance the
color of life and enjoy
quality life.

ONE STOP DREAM HOUSE MAKER

Company Profile

Vermont Deluxe Materials Co. Ltd was formed out of a desire to offer our customers the highest form of quality products and service. We provide both OEM and ODM service to our customers. Our Chief Designer studied in Germany and brings advanced design concepts from overseas to be incorporated into our own designs. We have commitment to all our customers and understand the need for product knowledge, product delivery and product quality.

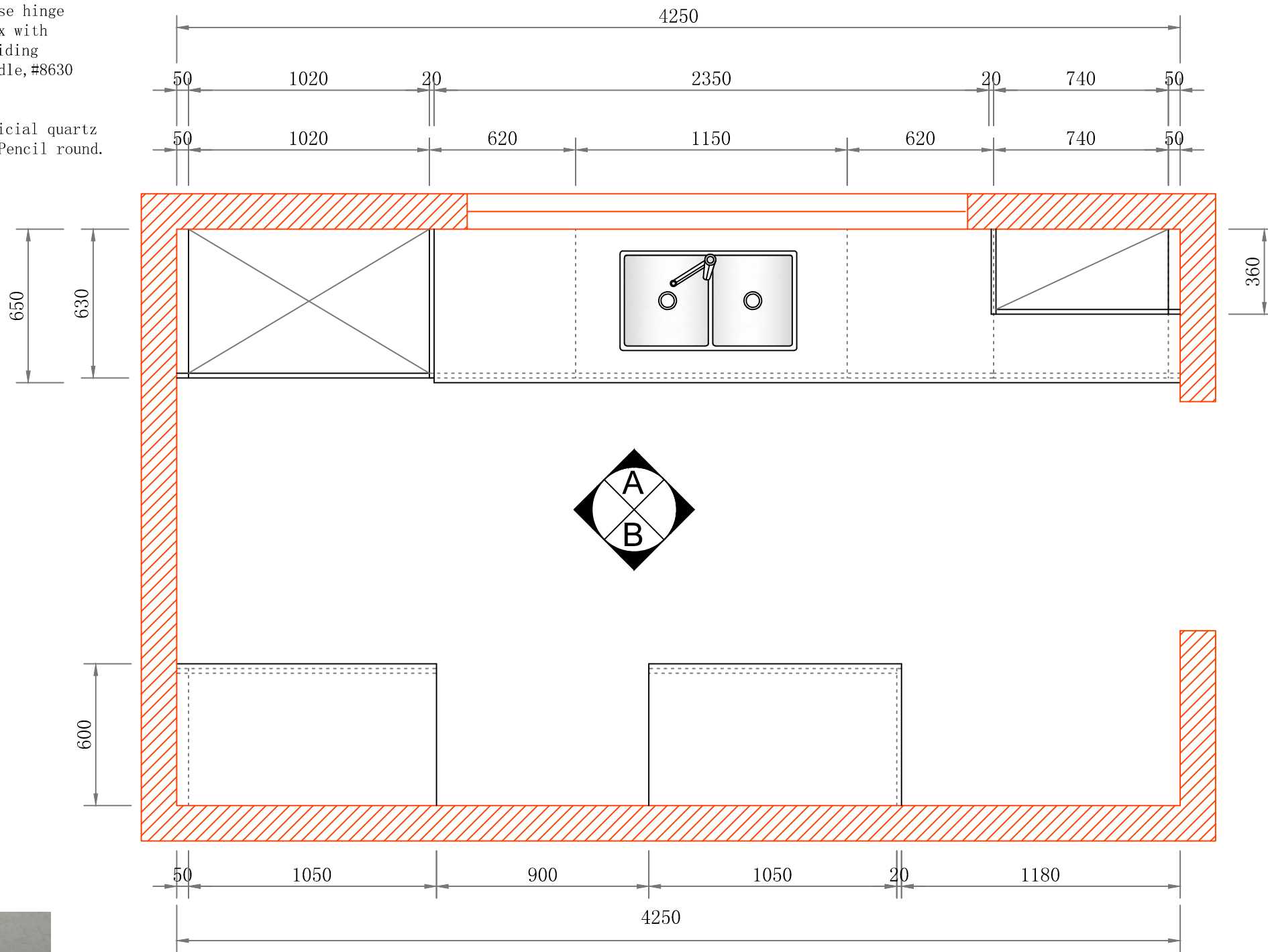
VERMONT.KITCHEN

Hangzhou Vermont Deluxe Materials CO.,LTD

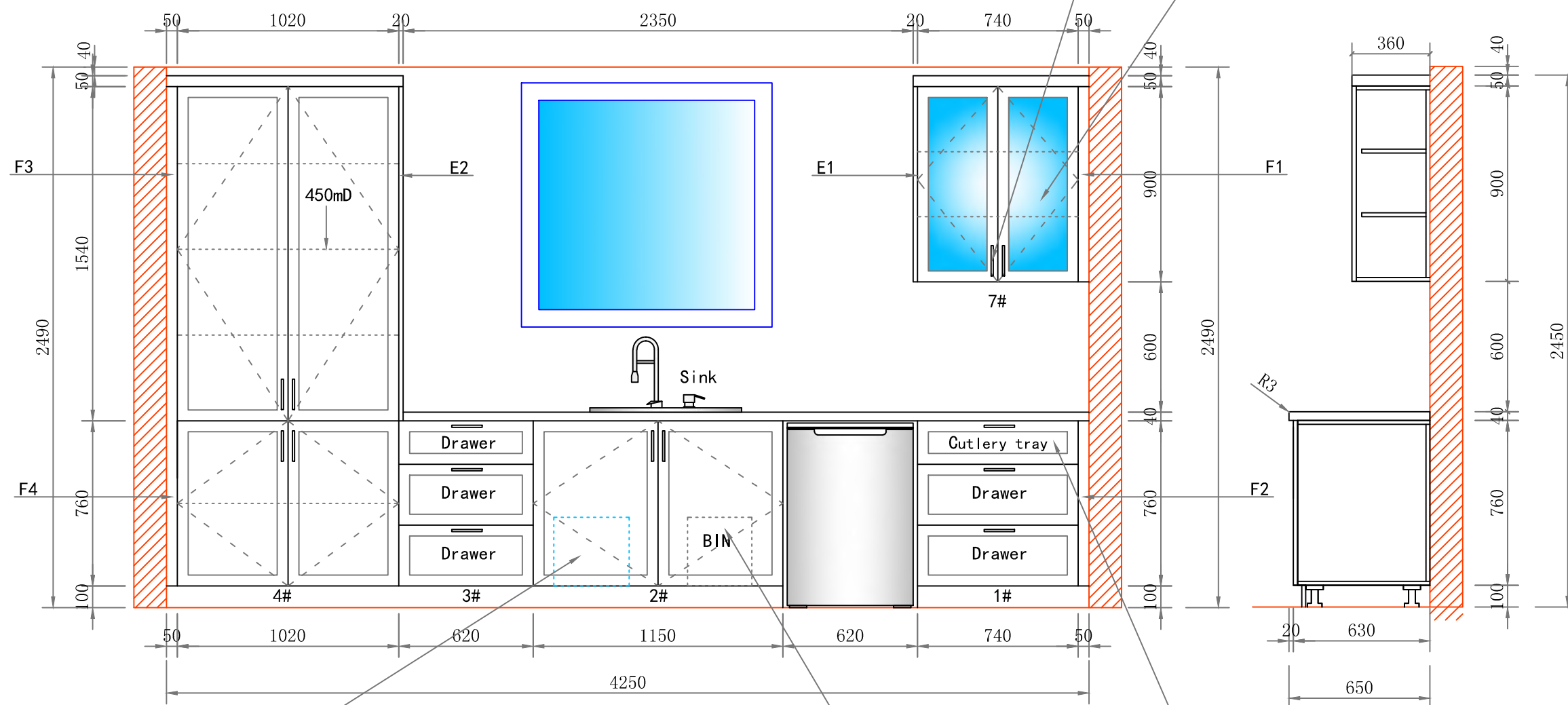
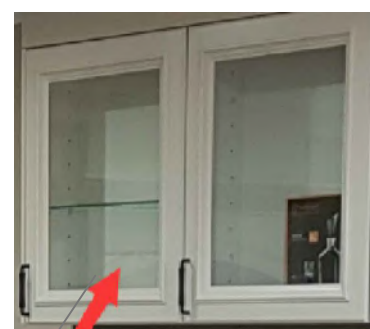
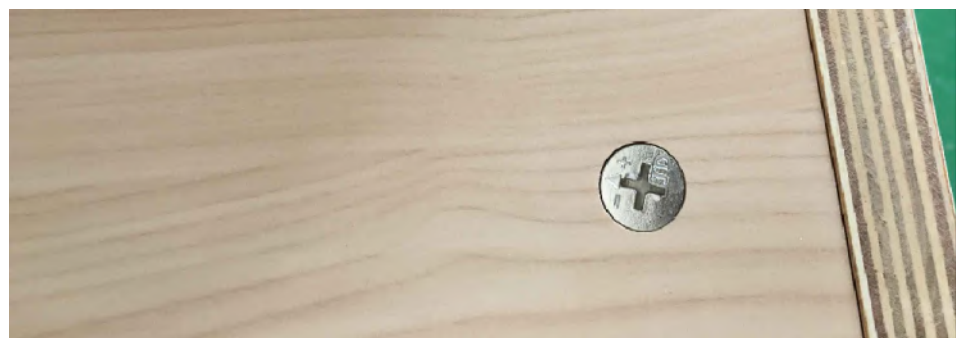
Material
 Carcass: 18mm plywood board with maple look melamine surface
 Door panel: 22mm American red oak solid wood with shaker design, RAL5014 Pigeon Blue
 Kickboard: same as door panel

Hardware
 Hinge: Blum soft-close hinge
 Drawer: Blum wood box with soft-close bottom sliding
 Handle: aluminum handle, #8630

Counter top:
 20mm thickness artificial quartz with 40mm overhung. Pencil round. Q301



Customer Name	
Albert	
Customer Address	
AU	
Customer Information	
R2-1 Kitchen Cabinet	
SalesPerson	
Kobe	
Designer	
Alan	
Design Date	
2019. 9. 17	
Revise Date	version
2019. 10. 11	3
Client Signature	
SHEET 1	TOTAL 3



ELEVATION A



Customer Name

Albert

Customer Address

AU

Customer Information

R2-1 Kitchen Cabinet

SalesPerson

Kobe

Designer

Alan

Design Date

2019. 9. 17

Revise Date

2019. 10. 11

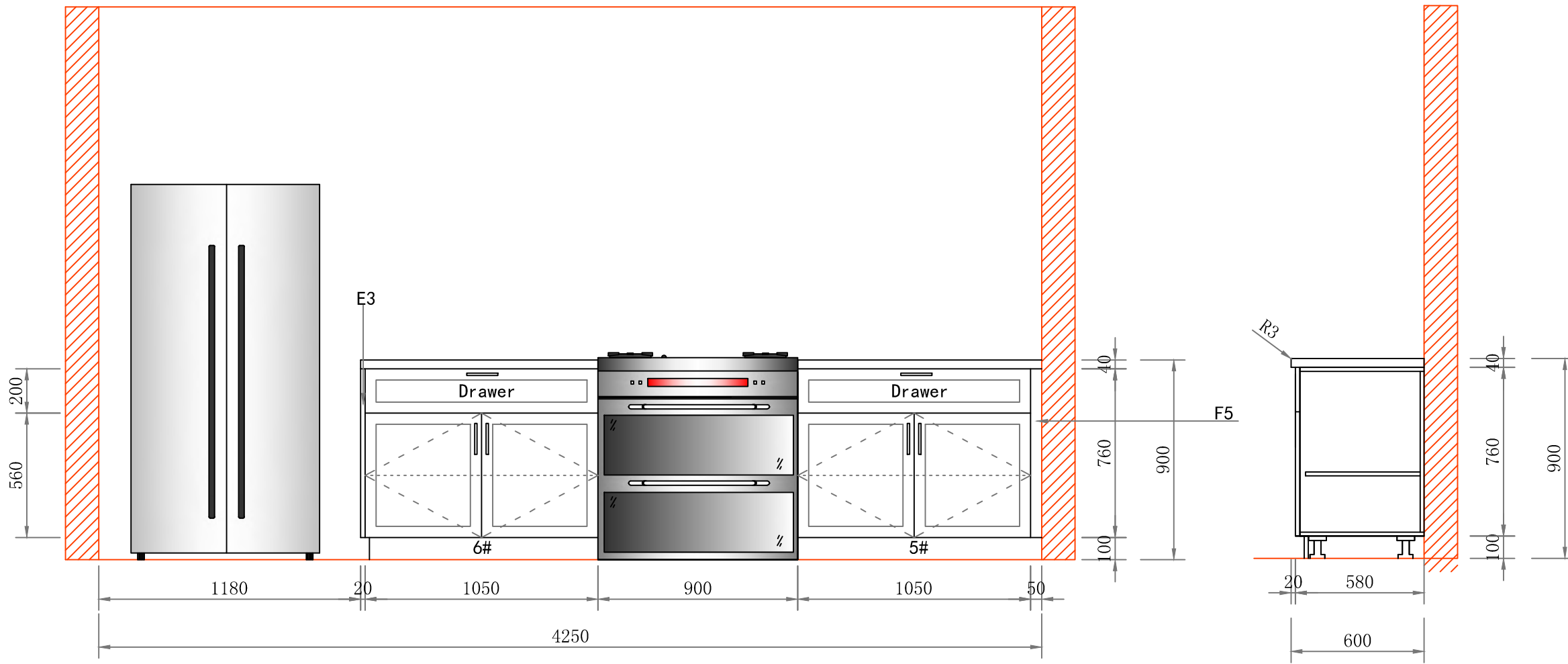
version

3

Client Signature

Autodesk

Autodesk

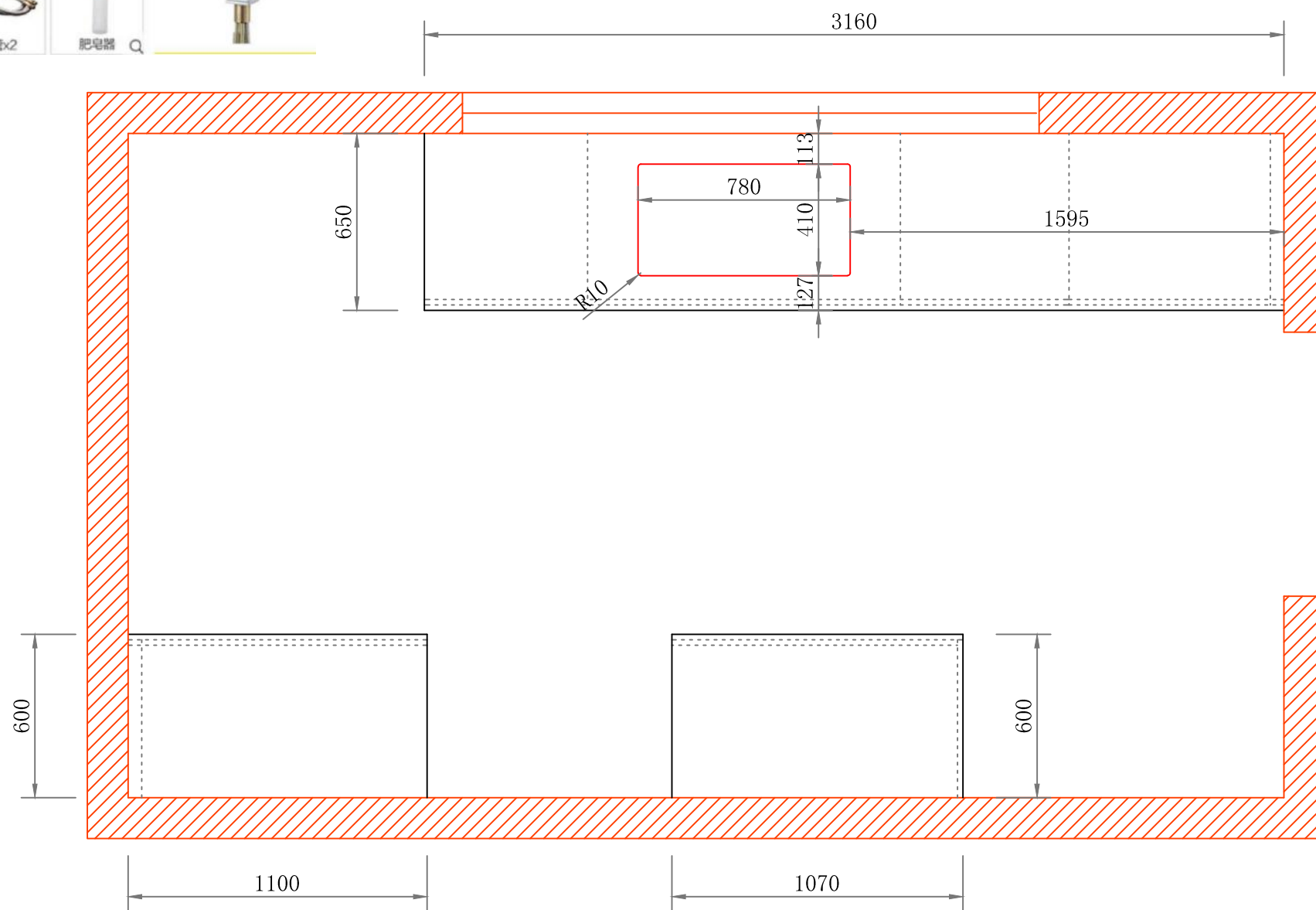
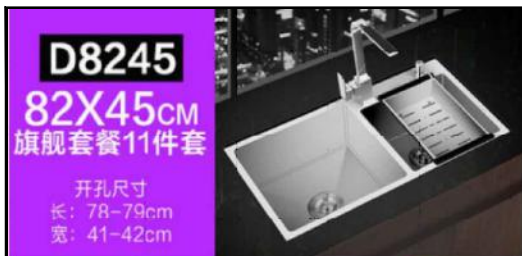


ELEVATION B

Customer Name	
Albert	
Customer Address	
AU	
Customer Information	
R2-1 Kitchen Cabinet	
SalesPerson	
Kobe	
Designer	
Alan	
Design Date	
2019. 9. 17	
Revise Date	version
2019. 10. 11	3
Client Signature	
SHEET 3	TOTAL 3

Autodesk

Autodesk



Customer Name

Albert

Customer Address

AU

Customer Information

R2-1 Kitchen Cabinet

SalesPerson

Kobe

Designer

Alan

Design Date

2019. 9. 17

Revise Date

2019. 10. 11

version

3

Client Signature

SHEET 1

TOTAL 3

